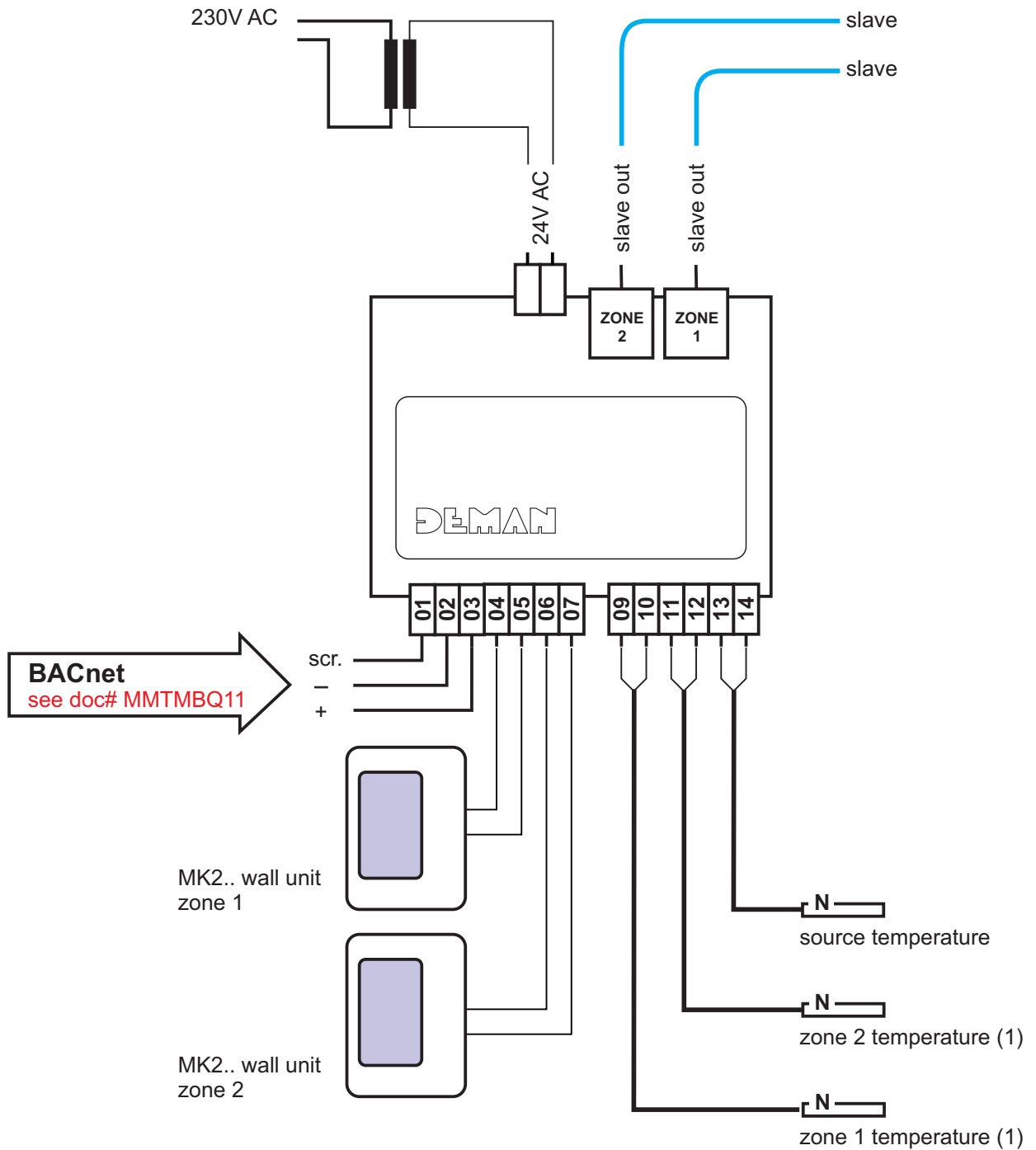


Wiring diagram for a diffuser master controller with BACnet, occupancy sensing and window monitoring.



1) If the zone temperature sensor (zone 1 and/or 2) is not installed the room temperature will be measured at the wall units.