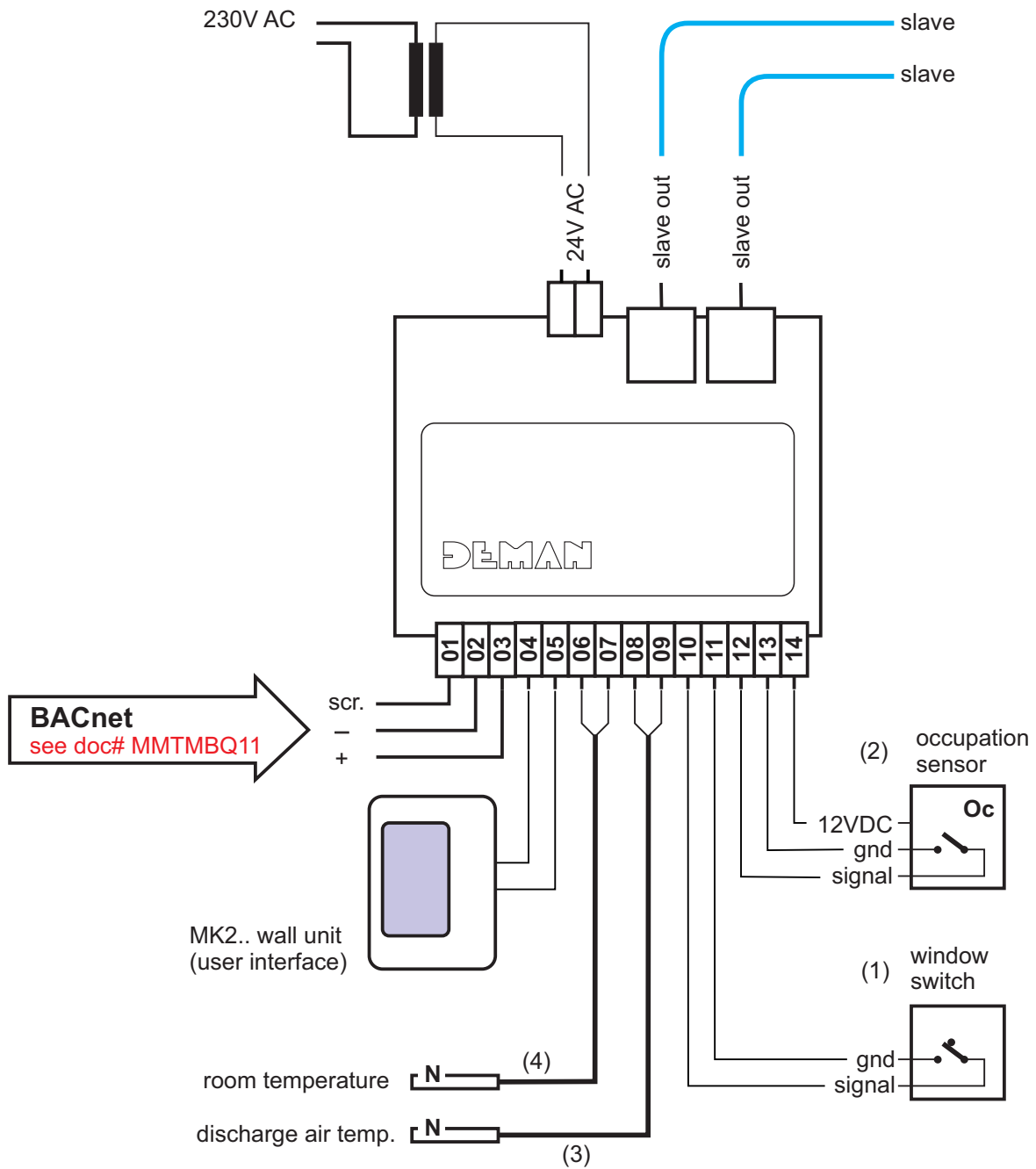


Wiring diagram for a diffuser master controller with BACnet, discharge air temperature monitoring, occupancy sensing and window monitoring.



- 1) Window open (contact open) -- controller in conserve mode. Bridge 10/11 if not used.
- 2) Room unoccupied (contact open) -- controller in unoccupied mode. Bridge 12/13 if not used.
- 3) Discharge air temperature is measured for report back on the BACnet network.
- 4) If the room temperature sensor is not installed the room temperature will be measured at the wall unit.