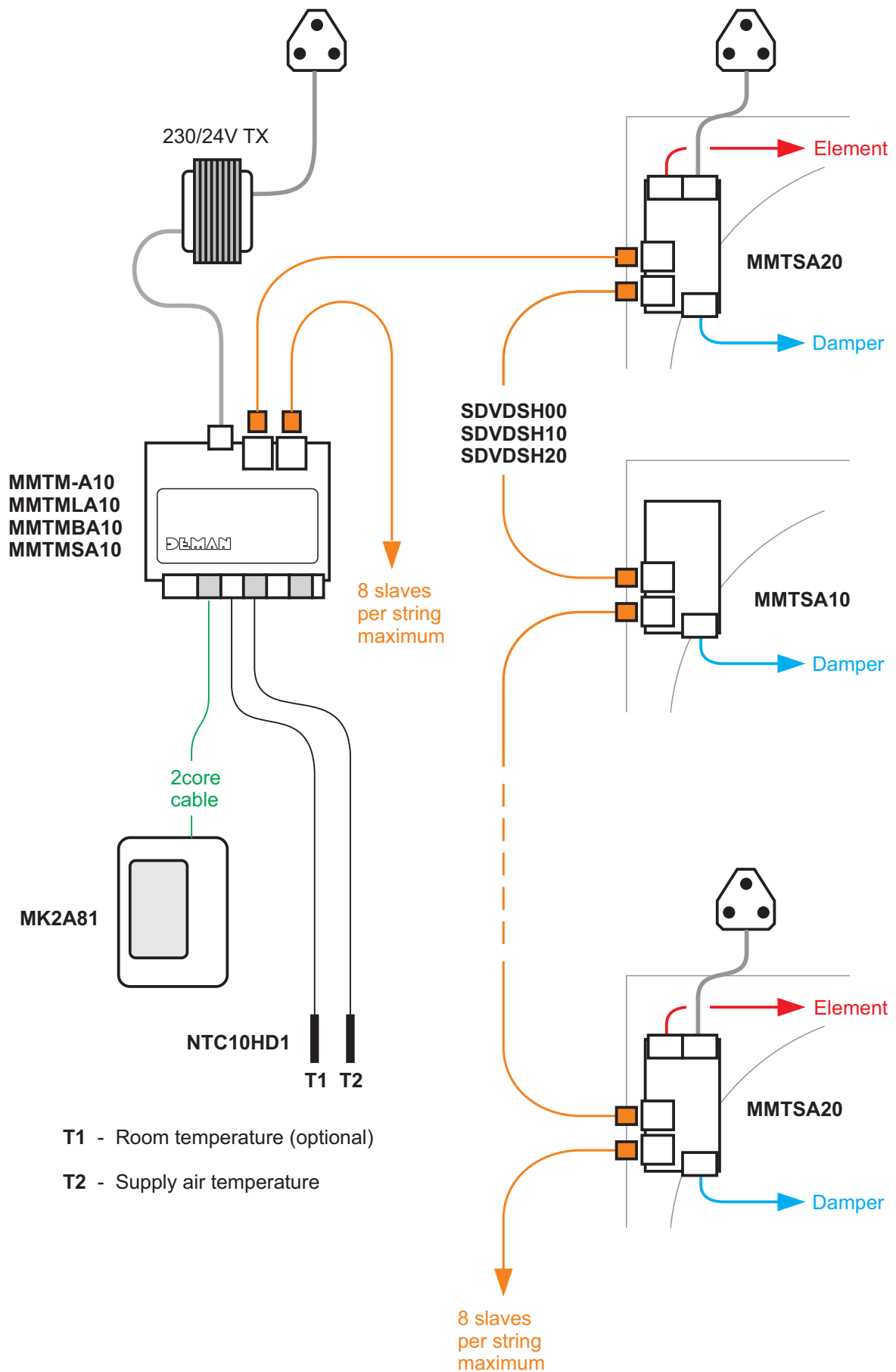
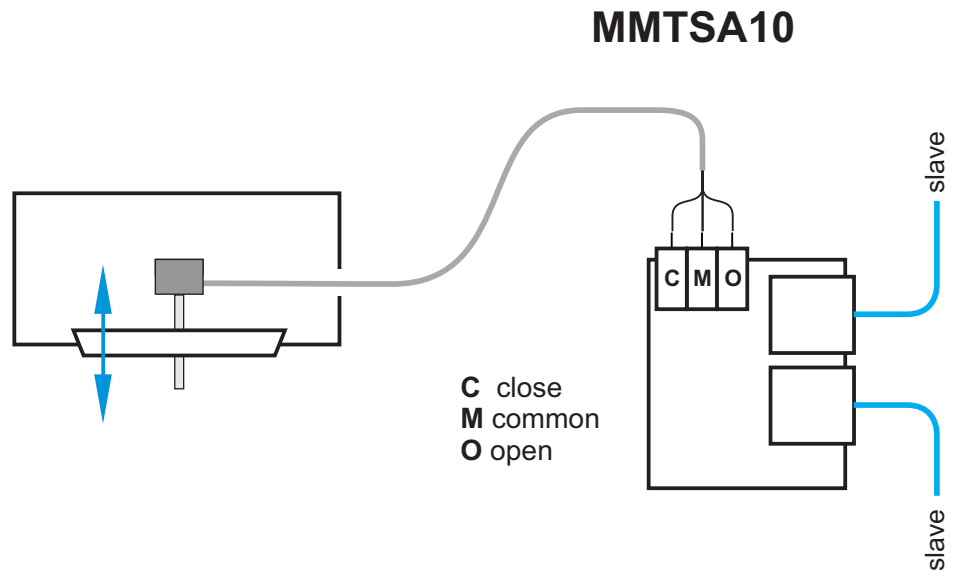


Wiring example



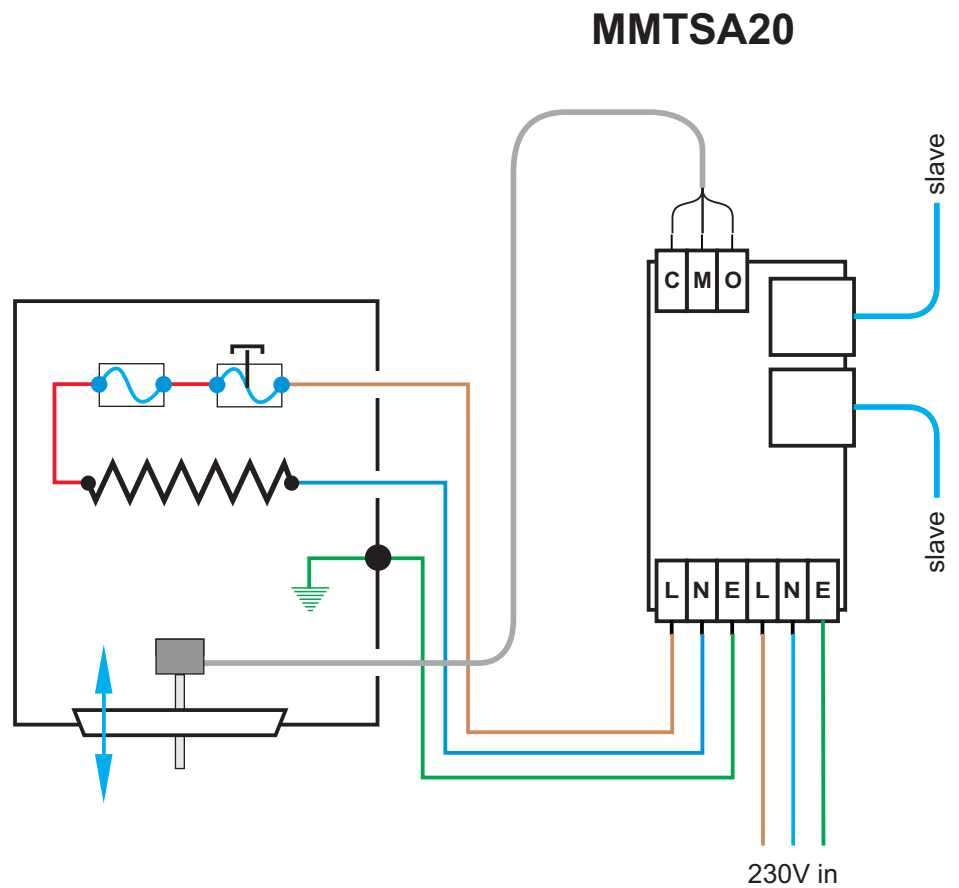
Wiring example (continue)

Slave unit-1
damper only



NOTE: The above slave unit to be used with the MMTM master controller only.

Slave unit-2
damper + heater element



NOTE: The above slave unit to be used with the MMTM master controller only.