



Solid State Relay

DOC#
MT1Q10

12 Amp triac output -- **MT1A12**
20Amp triac output -- **MT1A22**

Electrical

Power in/out



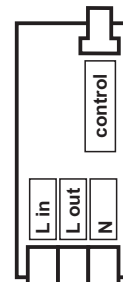
L in
L out 230V 12 or 20Amp. Resistive load only
N

Control



12V DC / 24V ~
GND

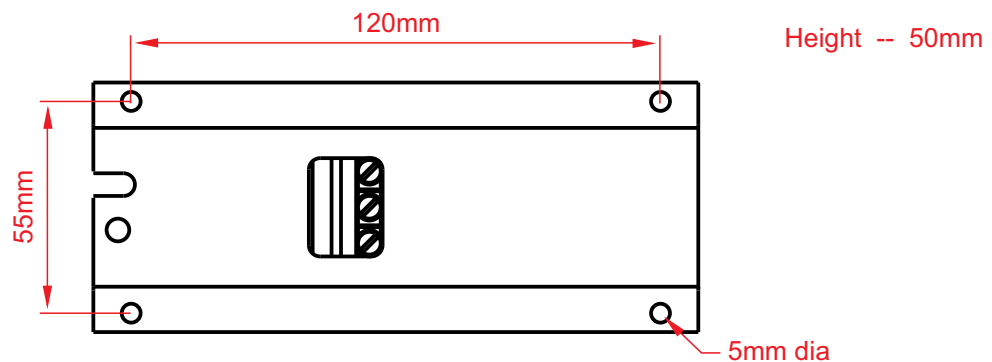
MT1H10 plug in
connecting cable



Note

Zero cross switching of output to load.
Triac switches heater full on during the on % of the PWM cycle.
Control input polarity insensitive.
To dissipate heat the unit must be mounted on a large metal area.

Dimensions



Note: Mount vertical for best cooling effect. **Must be mounted on large metal area.**

