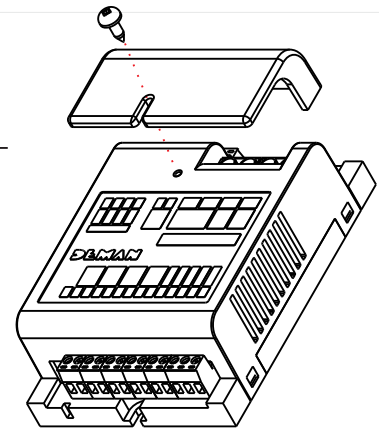


Demam HVAC & Green Building Products

doc# ProductsQ00

MM1..A16	Fan coil controller	02
MM1..A20	Fan coil controller	03
MM1..A30	Fan coil controller	04
MMD	Diffuser control	05
MMT	Diffuser control (high slave count)	06
M1 range	Modular HVAC controller	07
MK range	User interface (wall) units	08
Alux range	Lighting & HVAC control products	09
Doc.	Demam data sheets	11

MM1..A16 Fan Coil Controller



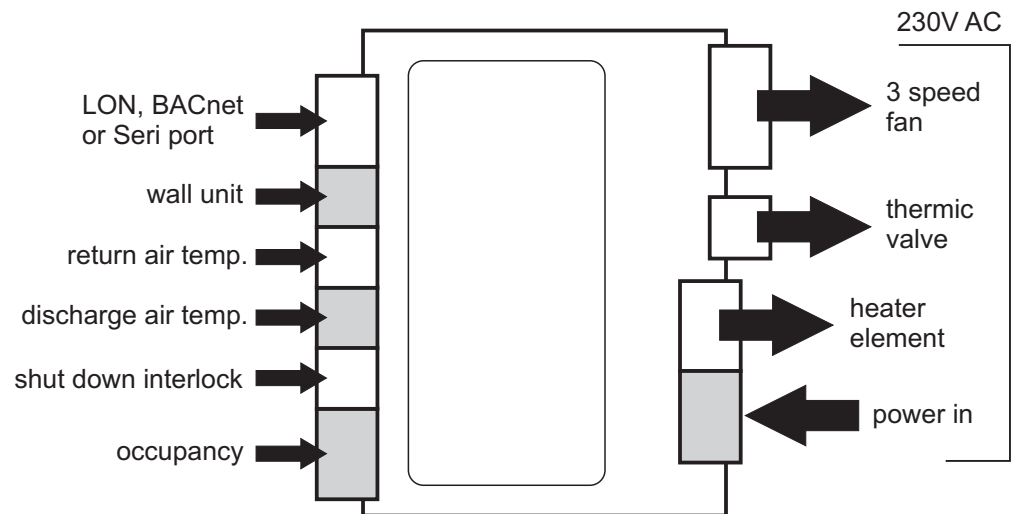
Description

Standard FCU controller. Thermic valve, 3 speed fan and single heating element

Product code: MM1-A16 -- stand alone
MM1LA16 -- LON
MM1BA16 -- BACnet
MM1SA16 -- local seri net

Peripherals: MK2A24 -- wall unit (portrait)
MK4A14 -- wall unit (landscape)
NTC10HB1 -- Temperature sensor

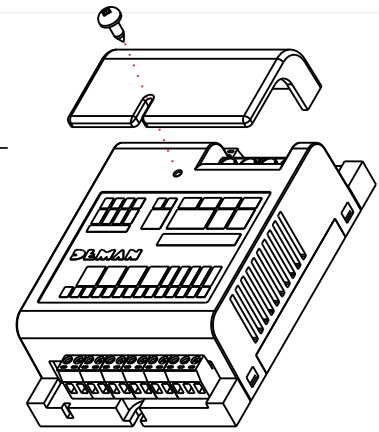
Controller I/O



Data sheet #

MM1xQ11

MM1..A20 Fan Coil Controller



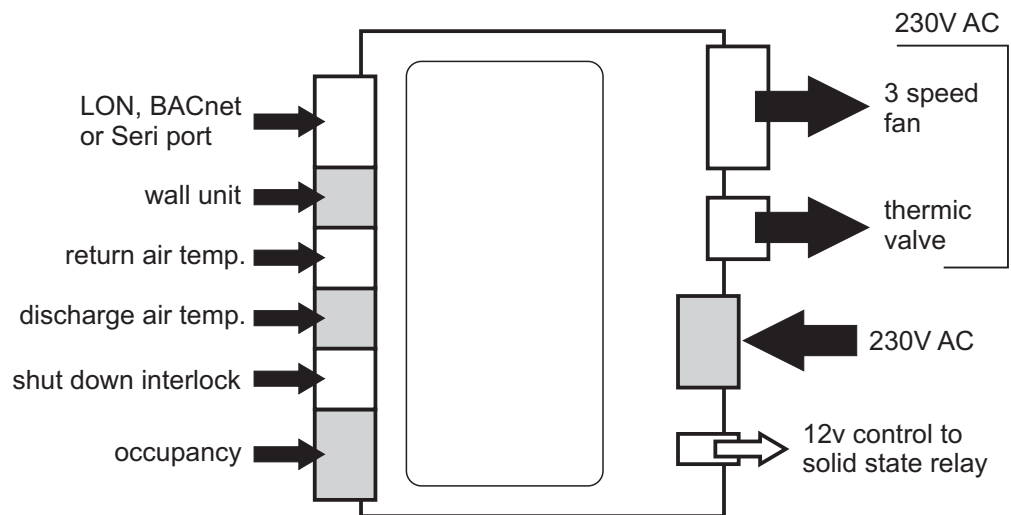
Description

Standard FCU controller. Thermic valve, 3 speed fan and 12V control out to solid state relay switching the heater element. (Proportional heating control.)

Product code: MM1-A20 -- stand alone
MM1LA20 -- LON
MM1BA20 -- BACnet
MM1SA20 -- local seri net

Peripherals: MK2A24 -- wall unit (portrait)
MK4A14 -- wall unit (landscape)
NTC10HB1 -- Temperature sensor
MT1A12 -- Solid state relay

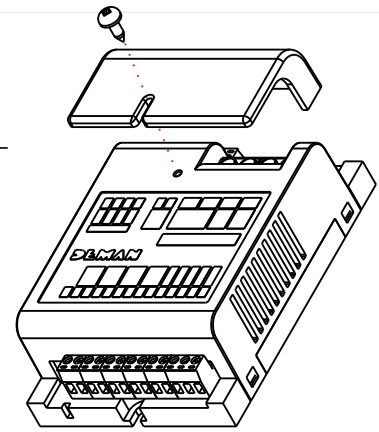
Controller I/O



Data sheet #

MM1xQ20

MM1..A30 Fan Coil Controller



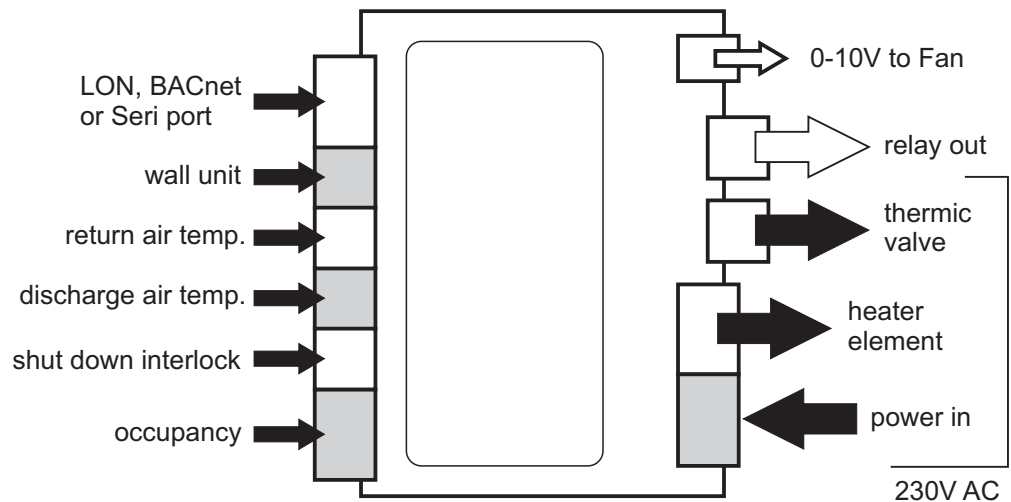
Description

Standard FCU controller. Thermic valve, 0-10V fan control and single heating element.

Product code: MM1-A30 -- stand alone
MM1LA30 -- LON
MM1BA30 -- BACnet
MM1SA30 -- local seri net

Peripherals: MK2A24 -- wall unit (portrait)
MK4A14 -- wall unit (landscape)
NTC10HB1 -- Temperature sensor

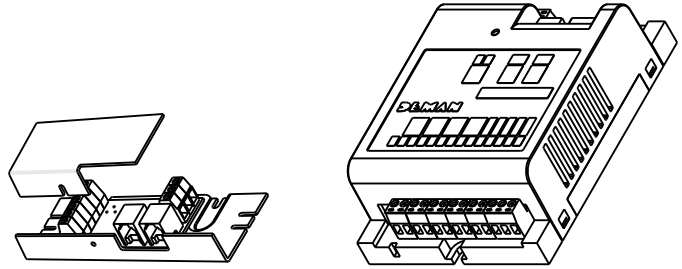
Controller I/O



Data sheet #

MM1xQ30

MMD Diffuser Control



Description

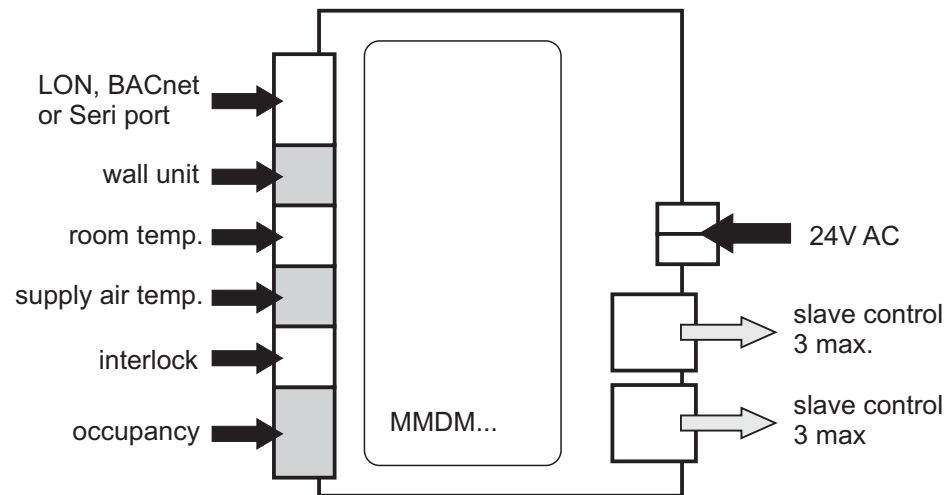
Diffuser master with one slave unit per diffuser. Maximum of 3 slaves per control output. A total of 6 slaves. Slaves are for damper only or for damper plus heating element.

Product code master unit: MMDM-A12 -- stand alone
 MMDMLA12 -- LON
 MMDMBA12 -- BACnet
 MMDMSA12 -- local seri net

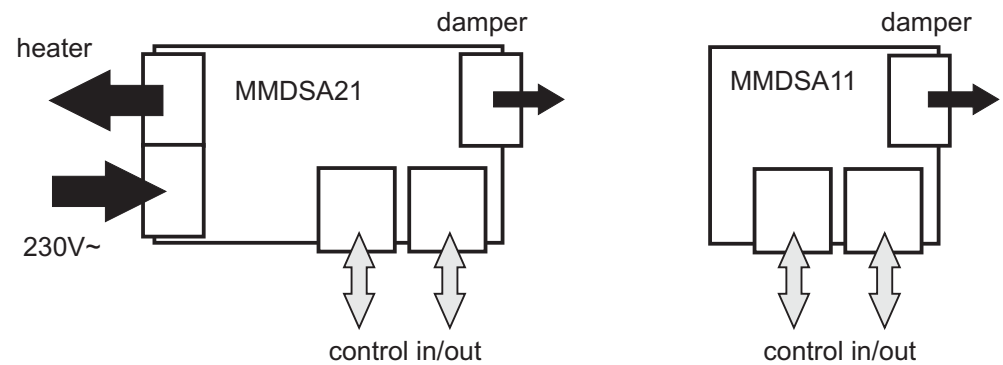
Product code slave units: MMDSA11 -- damper only
 MMDSA21 -- damper + heater element

Peripherals: MK2A81 -- wall unit 3 button (portrait)
 MK4A20 -- wall unit 3 button (landscape)
 NTC10HB1 -- Temperature sensor
 SDVDSH10 -- Interconnect cable (3m)
 SDVDSH20 -- Interconnect cable (6m)

Master I/O



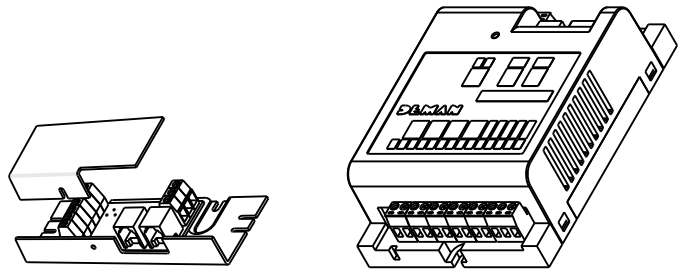
Slaves I/O



Data sheet

MMDxQ30

MMT Diffuser Control (high slave count)



Description

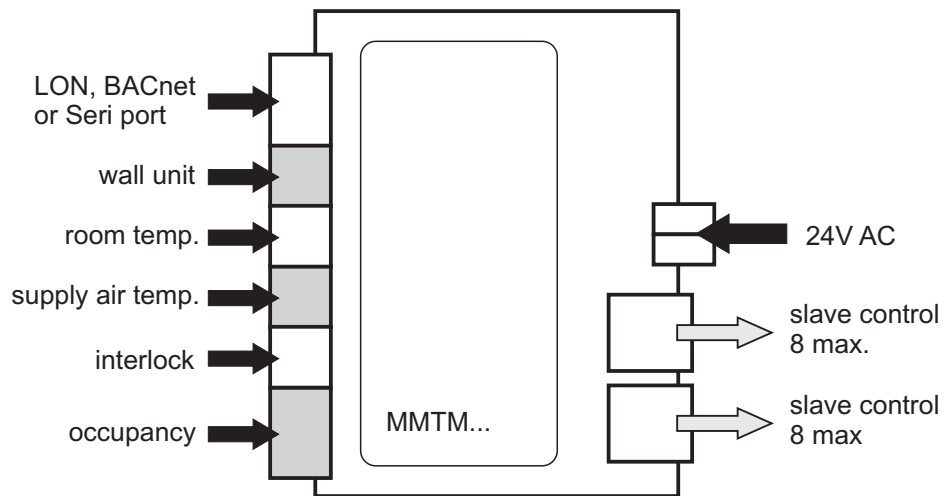
Diffuser master with one slave unit per diffuser. Maximum of 8 slaves per control output. A total of 16 slaves (diffusers). Slaves are for damper only or for damper plus heating element.

Product code master unit: MMTM-A10 -- stand alone
 MMTMLA10 -- LON
 MMTMBA10 -- BACnet
 MMTMSA10 -- local seri net

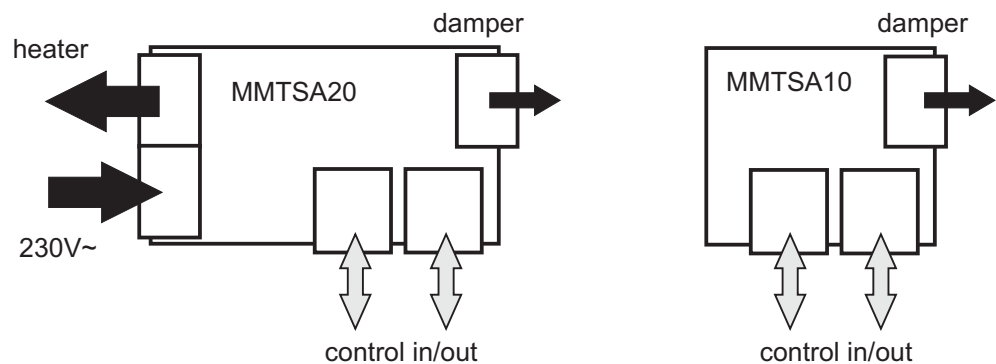
Product code slave units: MMTSA10 -- damper only
 MMTSA20 -- damper + heater element

Peripherals: MK2A81 -- wall unit 3 button (portrait)
 MK4A20 -- wall unit 3 button (landscape)
 NTC10HB1 -- Temperature sensor
 SDVDSH10 -- Interconnect cable (3m)
 SDVDSH20 -- Interconnect cable (6m)

Master I/O



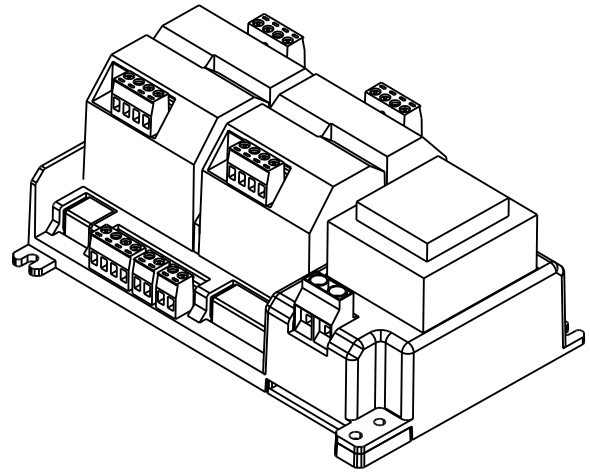
Slaves I/O



Data sheet

MMTxQ10

M1 modular HVAC controller



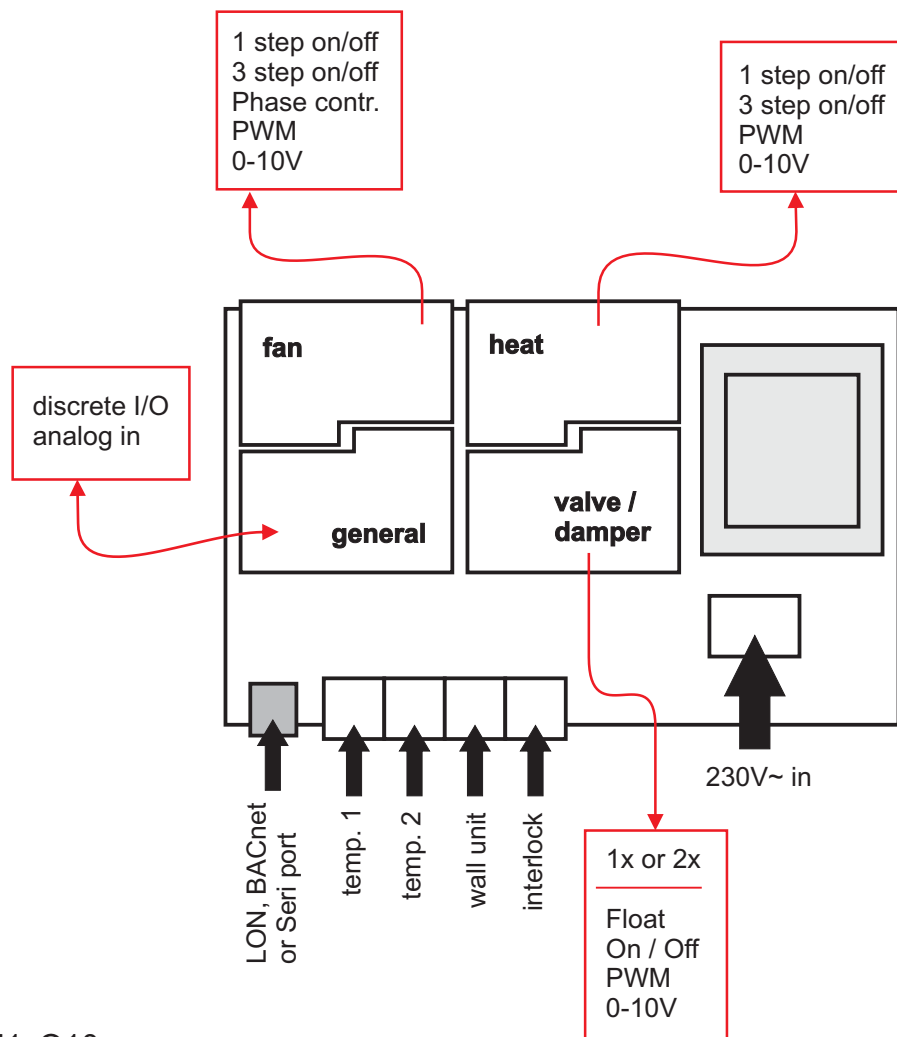
Description

HVAC controller with 4 plug in control and/or I/O modules. Modules and functionality to be specified as per the application.

Product code: M1B... as allocated during assembly

- Peripherals:
- MK2A24 -- wall unit 5 button (portrait)
 - MK4A14 -- wall unit 5 button (landscape)
 - NTC10HB1 -- Temperature sensor

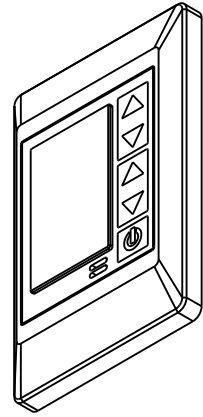
Controller I/O



Data sheet #

M1xQ10

MK user interface (wall) unit



Description

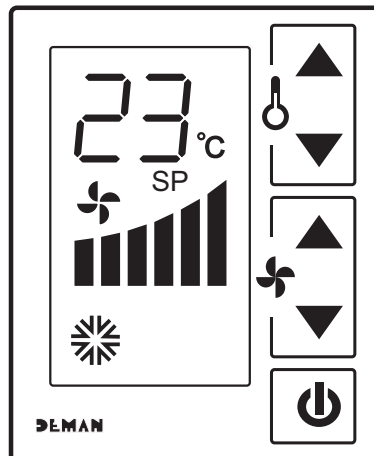
Wall mounted user interface for Deman HVAC controllers. Two wire polarity insensitive connection to the controller. The controller is usually situated at or near the FCU or HVAC device being controlled.

Product code: MK2A24 -- 5 button portrait (on/off, temp. and fan)
MK2A52 -- 2 button portrait (temp. only)
MK2A81 -- 3 button portrait (on/off and temp.)

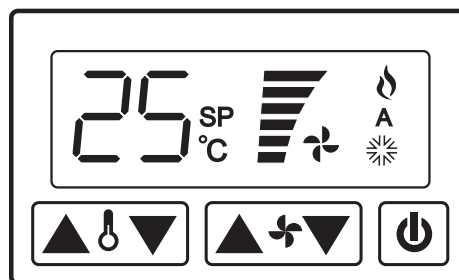
MK4A14 -- 5 button portrait (on/off, temp. and fan)
MK4A20 -- 3 button portrait (on/off and temp.)

User interface for: MM1, MMD, MMT and M1 range of controllers.

Interface unit (portrait)



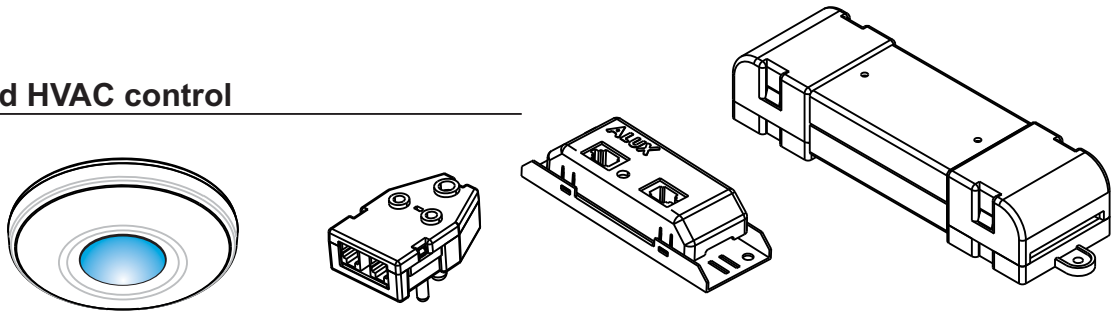
Interface unit (landscape)



Data sheet #

MK2Q10

Alux lighting and HVAC control



Description

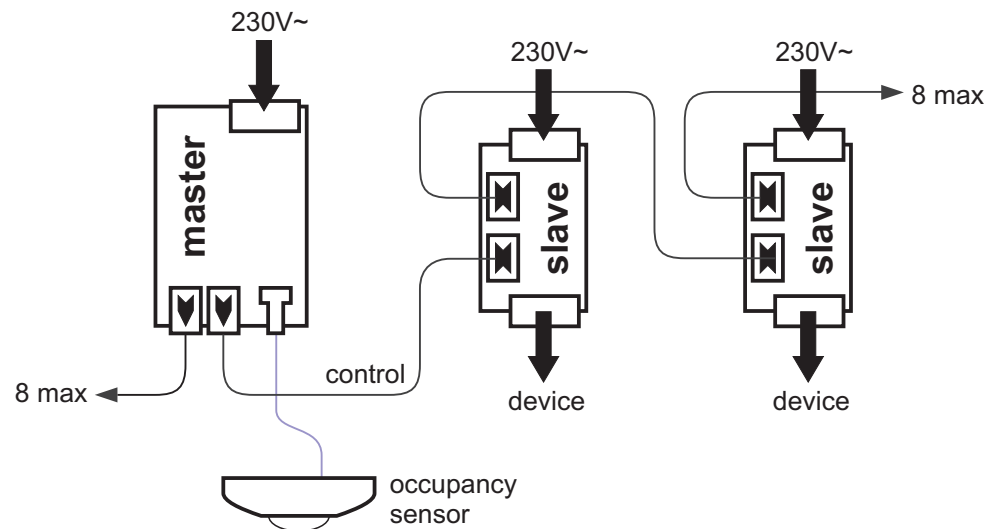
Master unit with occupancy sensor input controlling up to 16 slave relays. One slave relay per switching point or device to be switched. A switching point can be a light fitting, a HVAC device or other.

Product code: AluxM6A10 -- master unit
AluxM7A10 -- mikro master

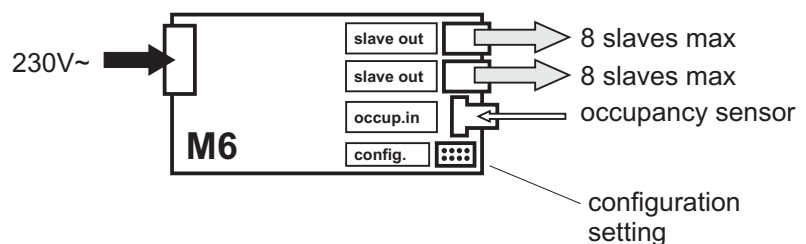
AluxS1A11 -- inline light slave unit. 3A max
AluxS2A10 -- high current slave unit. 12A max
AluxS3A10 -- HVAC signal slave unit
AluxS4A10 -- plug socket light slave unit. 3A max

CL-1806 -- ceiling occupancy sensor (7m dia)
IS25100TC -- corridor sensor (2m x 25m)

Wiring schematic

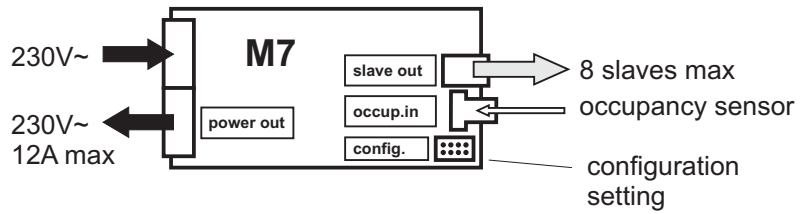


Master - AluxM6

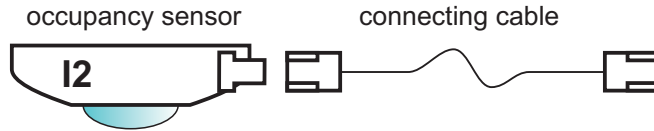


Alux lighting and HVAC control (continue)

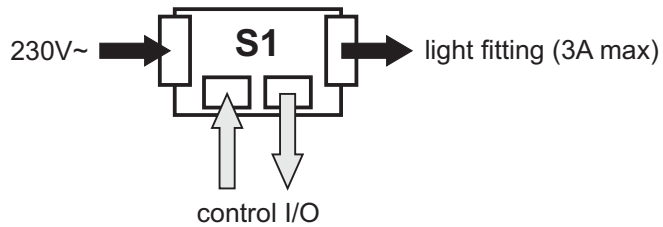
Micro master - AluxM7



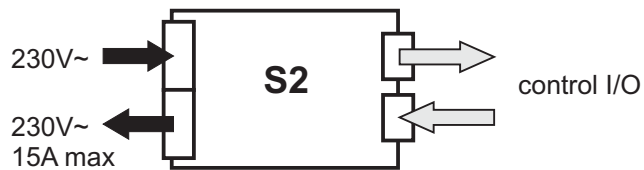
Sensor - AluxI2



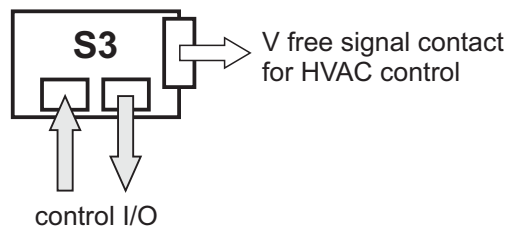
Slave - AluxS1



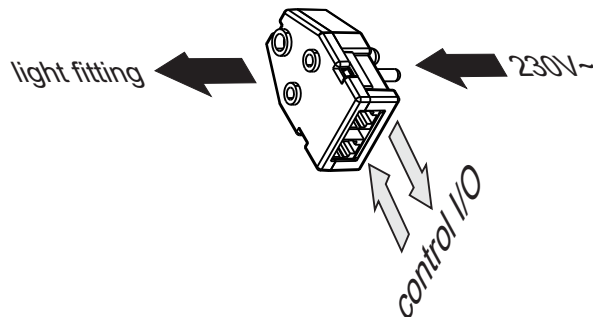
Slave - AluxS2



Slave - AluxS3



Slave - AluxS4



Data sheet #

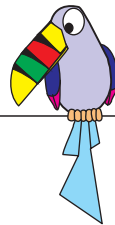
AluxQ20

Deman data sheets

Alux	AluxQ20	Lighting and HVAC control
LON	CAT5-1LQ10	LONWORKS Bus Wiring Guidelines
	LONTKQ10	LONWORKS Network Wiring Aid
M1	M1xQ10	Modular HVAC Controller
MK2	MK2Q10	Wall Unit (User Interface)
	MK2Q21	Wall Unit: Setting the Temperature Offset
	Mk2Q30	Wall Unit: Additional Diagnosti Functions
	MK2Q60	Wall Unit: 5 Button Input Protected Unit
MM1	MM1BACQ10	MM1 range BACnet Interface
	MM1BACQ20	Basic MM1 BACnet Device Info
	MM1xQ11	MM1 Fan-coil Controller
MMD	MMDBACQ10	MMD range BACnet Interface
	MMDBACQ20	Basic MMD BACnet Device Info
	MMDxQ10	MMD Diffuser Control
MMT	MMTxQ10	MMT Diffuser Control
SDV	SDVBACQ10	SDV range BACnet Interface
	SDVBACQ20	Basic SDV BACnet Device Info
	SDVxQ10	SDV HVAC Controller
Note:	Data not available at www.deman.co.za will be forwarded on request.	

www.deman.co.za

Deman Manufacturing (Pty)Ltd



10 Steenbok Street
Koedoespoort
0186
Pretoria
South Africa

POBox 26208
Gezina
0031
Pretoria
South Africa

tel +27 12 403 8000

fax +27 12 333 3371

www.deman.co.za