




## Solid State Relay

DOC#  
**MT1Q10**

12 Amp triac output -- **MT1A12**  
20Amp triac output -- **MT1A22**

### Electrical

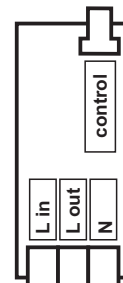
#### Power in/out


 L in  
 L out 230V 12 or 20Amp. Resistive load only  
 N

#### Control


 12V DC / 24V ~  
 GND

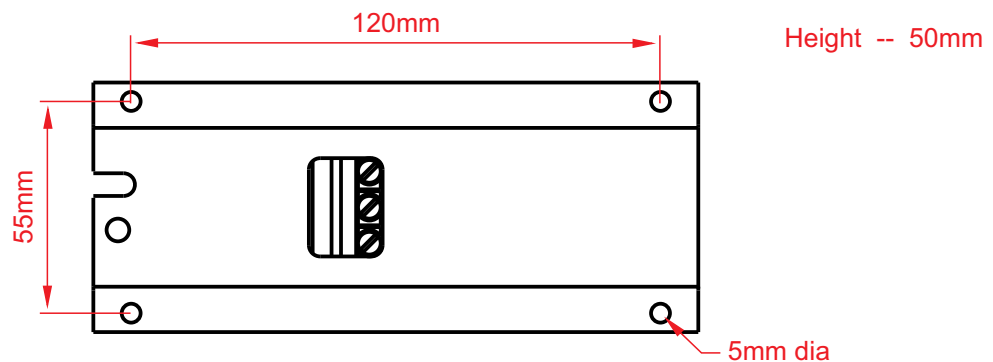
MT1H10 plug in connecting cable



#### Note

Zero cross switching of output to load.

### Dimensions



#### Note

Mount vertical for best cooling effect.

